

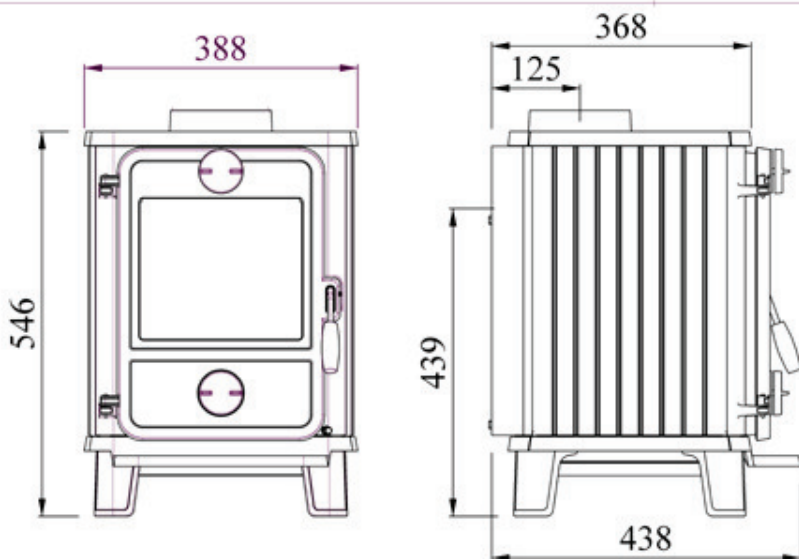
1412 SQUIRREL

suitable to burn wood in smoke controlled areas



Multifuel

Also available with ribbed sides



1412 Squirrel Radiant

EN 13240 and Norwegian approved

Rated output 5 kW
Log length 28 cm
Weight 70 kg
Efficiency net/gross: 74.6/67.9%

Flue outlet, rear and top option
internal Ø. 125 mm

Clearance to Combustibles
Top 500 mm
Sides 600 mm
Rear 100 mm
Soft Furniture. 700 mm

1442 SQUIRREL

suitable to burn wood in smoke controlled areas



Multifuel

1442 Squirrel Convector

EN 13240 and Norwegian approved

Rated output 5 kW
 Log length. 28 cm
 Weight 70 kg
 Efficiency net/gross: 74,6/67,9%

Flue outlet, rear and top option
 internal ø. 125 mm

Clearance to Combustibles
 Top 500 mm
 Sides 300 mm
 Rear. 200 mm
 Soft Furniture. 700 mm

